



Maxeon X-Series: X21-470-COM

Maxeon Commercial DC Panel

Maxeon X-Series panels combine the top efficiency, durability and warranty available in the market today, resulting in more long-term energy and savings.^{1,2}



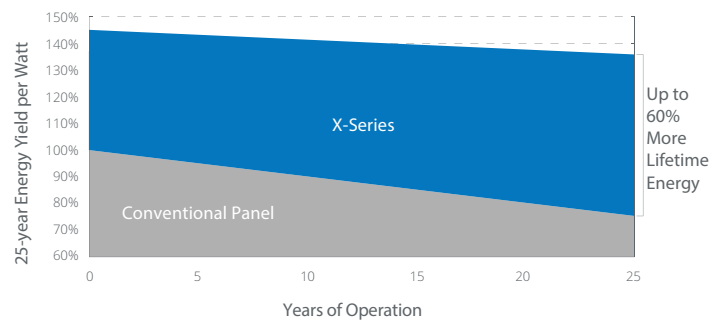
Maximum Power. Minimalist Design.

Generates more power and savings per available space, making it easier to meet your organization's goals.

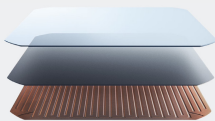


Highest Lifetime Energy and Savings

Designed to deliver 60% more energy in the same space over 25 years in real-world conditions like partial shade and high temperatures.¹

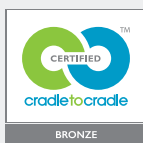


Fundamentally Different. And Better.



The Maxeon Solar Cell

- Enables highest efficiency panels available²
- Delivers leading reliability³
- Patented solid metal foundation prevents breakage and corrosion



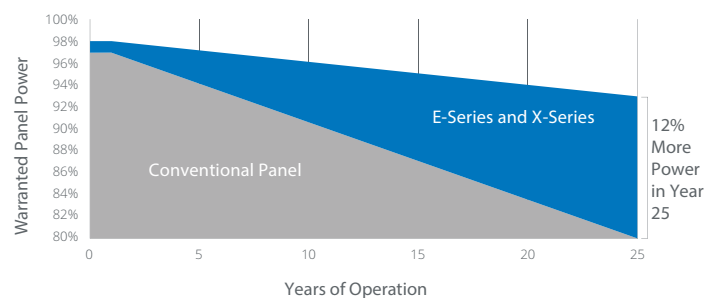
As Sustainable As Its Energy

- First solar panels to achieve Cradle to Cradle Certified™ Bronze recognition⁴
- Contributes to more LEED categories than conventional panels⁵



Best Reliability, Best Warranty

With more than 35 million panels deployed around the world, Maxeon technology is proven to last. That's why we stand behind our panel with an industry-leading 25-year Combined Power and Product Warranty.

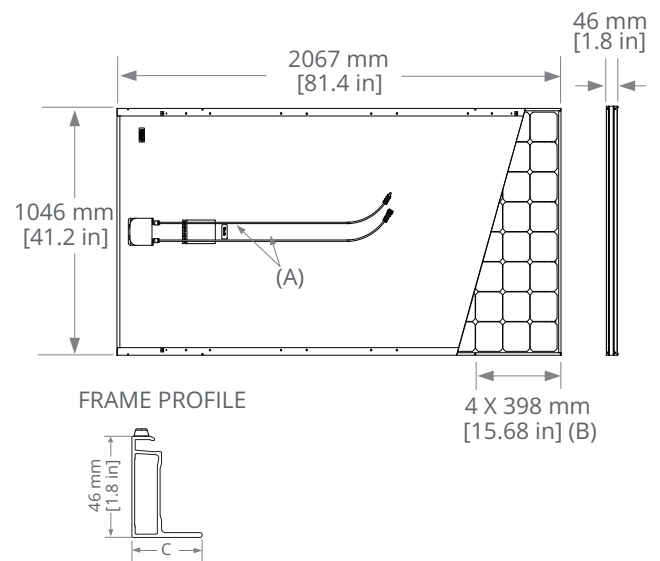


Maxeon X-Series: X21-470-COM Commercial DC Panel

Electrical Data		
	SPR-X21-470-COM	SPR-X21-460-COM
Nominal Power (P _{nom}) ⁶	470 W	460 W
Power Tolerance	+5/0%	+5/0%
Panel Efficiency	21.7%	21.3%
Rated Voltage (V _{mpp})	77.6 V	77.3 V
Rated Current (I _{mpp})	6.06 A	5.95 A
Open-Circuit Voltage (V _{oc})	91.5 V	90.5 V
Short-Circuit Current (I _{sc})	6.45 A	6.39 A
Max. System Voltage	1500 V UL & 1500 V IEC	
Maximum Series Fuse	15 A	
Power Temp Coef.	-0.29% / °C	
Voltage Temp Coef.	-223.2 mV / °C	
Current Temp Coef.	2.9 mA / °C	

Tests And Certifications	
Standard Tests ⁷	UL1703 (Type 2 Fire Rating), IEC 61215, IEC 61730
Quality Management Certs	ISO 9001:2015, ISO 14001:2015
EHS Compliance	RoHS, OHSAS 18001:2007, lead free, Recycle Scheme, REACH SVHC-163
Sustainability	Cradle to Cradle Certified™ Bronze. "Declare." listed.
Ammonia Test	IEC 62716
Desert Test	MIL-STD-810G
Salt Spray Test	IEC 61701 (maximum severity)
PID Test	1500 V: IEC 62804, PVEL 600 hr duration
Available Listings	UL, TUV, MCS, CEC

Operating Condition And Mechanical Data	
Temperature	-40° F to +185° F (-40° C to +85° C)
Impact Resistance	1 inch (25 mm) diameter hail at 52 mph (23 m/s)
Appearance	Class A
Solar Cells	128 Monocrystalline Maxeon Gen III
Tempered Glass	High-transmission tempered anti-reflective
Junction Box	IP-65, 1230 mm cables / PV4S
Weight	56 lbs (25.4 kg)
Max. Test Load ⁸	Wind: 50 psf, 2400 Pa, 244 kg/m ² back Snow: 112 psf, 5400 Pa, 550 kg/m ² front
Design Load	Wind: 50 psf, 2400 Pa, 244 kg/m ² back Snow: 112 psf, 5400 Pa, 550 kg/m ² front
Frame	Class 2 silver anodized; stacking pins



- (A) Cable Length: 1230 mm +/-10 mm
 (B) Stacking Pins
 (C) Long Side: 32 mm [1.3 in]
 Short Side: 22 mm [0.9 in]

1 Maxeon 360 W compared to a Conventional Panel on same-sized arrays (260 W, 16% efficient, approx. 1.6 m²), 4% more energy per watt (based on PVsyst pan files), 0.75%/yr slower degradation (Campeau, Z. et al. Module Degradation Rate white paper, 2013).

2 Based on search of datasheet values from websites of top 10 manufacturers per IHS, as of May 2019.

3 Jordan, et. al. Robust PV Degradation Methodology and Application. PVSC 2018.

4 Cradle to Cradle Certified is a multi-attribute certification program that assesses products and materials for safety to human and environmental health, design for future use cycles, and sustainable manufacturing.

5 X-Series panels additionally contribute to LEED Materials and Resources credit categories.

6 Standard Test Conditions (1000 W/m² irradiance, AM 1.5, 25° C). NREL calibration Standard: SOMS current, LACCS FF and Voltage.

7 Type 2 fire rating per UL1703:2013, Class C fire rating per UL1703:2002.

8 Please read the safety and installation guide for more information regarding load ratings and mounting configurations.

Specifications included in this datasheet are subject to change without notice.

© 2021 Maxeon Solar Technologies, Ltd. All Rights Reserved. View warranty, patent and trademark information at maxeon.com/legal..

maxeon

527837 Rev B / LTR_US

Publication Date: May 2021