

MAXEON 3 SOLAR PANEL

470-485 W | Up to 22.4% Efficient



Ideal for commercial applications



White backsheet, silver frame

More Lifetime Energy

Designed to maximise energy generation through leading efficiency, enhanced performance in high temperatures, and higher energy conversion in low-light conditions like mornings, evenings and cloudy days.

Uncompromising Durability

Engineered to power through all types of weather conditions with crack-resistant cells and reinforced connections that protect against fatigue and corrosion, to an electrical architecture that mitigates the impact of shade and prevents hot-spot formation.



Superior Sustainability

Clean ingredients, responsible manufacturing, and lasting energy production for 25 years make Maxeon panels the most sustainable choice in solar.

A Better Product. A Better Warranty.

The 25-year Maxeon Complete Confidence Panel Warranty is backed by testing and field data from more than 30 million Maxeon panels deployed—and a demonstrated warranty return rate of 0.005%.¹

Product and power coverage	25 Years
Year 1 minimum warranted output	98.0%
Maximum annual degradation	0.25%



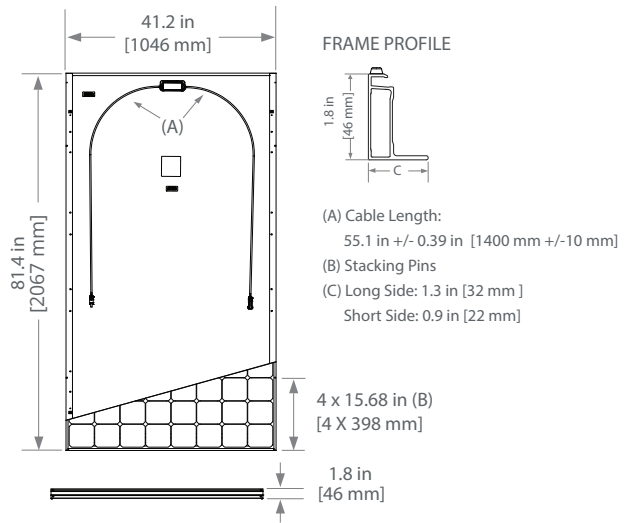
Learn more about the SPR-X22-XXX-COM
[maxeon.com](https://www.maxeon.com)

MAXEON 3 POWER: 470–485 W | EFFICIENCY: Up to 22.4%

Electrical Data		
	SPR-X22-485-COM	SPR-X21-470-COM
Nominal Power (Pnom) ²	485 W	470 W
Power Tolerance	+5/0%	+5/0%
Panel Efficiency	22.4%	21.7%
Rated Voltage (Vmpp)	78.8 V	77.6 V
Rated Current (Impp)	6.16 A	6.06 A
Open-Circuit Voltage (Voc)	92.7 V	91.5 V
Short-Circuit Current (Isc)	6.55 A	6.45 A
Max. System Voltage	1500 V UL	
Maximum Series Fuse	15 A	
Power Temp Coef.	-0.27% / °C	
Voltage Temp Coef.	-0.236% / °C	
Current Temp Coef.	0.058% / °C	

Warranties, Certifications (Pending) and Compliance	
Standard Tests ³	UL1703 (Type 2 Fire Rating)
Quality Management Certs	ISO 9001:2015, ISO 14001:2015
Ammonia Test	IEC 62716
Desert Test	IEC 60068-2-68, MIL-STD-810G
Salt Spray Test	IEC 61701 (maximum severity)
PID Test	1500 V: IEC 62804
Available Listings	UL
IFLI Declare Label	First solar panel labeled for ingredient transparency and LBC-compliance. ⁴
Cradle to Cradle Certified™ Silver	First solar panel line certified for material health, water stewardship, material reutilization, renewable energy & carbon management, and social fairness. ⁵
Green Building Certification Contribution	Panels can contribute additional points toward LEED and BREEAM certifications.
EHS Compliance	RoHS, ISO 45001:2018, Recycle Scheme, REACH SVHC-163

Operating Condition And Mechanical Data	
Temperature	-40°F to +185°F (-40°C to +85°C)
Impact Resistance	1 inch (25 mm) diameter hail at 52 mph (23 m/s)
Solar Cells	128 Monocrystalline Maxeon Gen 3
Tempered Glass	High-transmission tempered anti-reflective
Junction Box	IP-68, PV4S
Weight	56 lbs (25.4 kg)
Max. Load ⁶	Wind: 50 psf, 2400 Pa, 244 kg/m ² front & back Snow: 112 psf, 5400 Pa, 550 kg/m ² front
Frame	Class 2 silver anodized; stacking pins



Please read the safety and installation instructions. Visit www.maxeon.com/us/InstallGuideUL. Paper version can be requested through techsupport.ROW@maxeon.com.

1 Maxeon panels are less than 50 dppm, or 0.005%, on over 15 million panels shipped - Source: "A Comparative Study: SunPower DC Solar Module Warranty Claim Rates" 2019.
 2 Standard Test Conditions (1000 W/m² irradiance, AM 1.5, 25° C). NREL calibration Standard: SOMS current, LACCS FF and Voltage.
 3 Type 2 fire rating per UL1703:2013
 4 Maxeon DC panels first received the International Living Future Institute Declare Label in 2016.
 5 Maxeon DC panels are Cradle to Cradle Cradle Certified™ Silver - www.c2ccertified.org/products/scorecard/maxeon_solar_panels_-_maxeon_corporation. Cradle to Cradle Certified™ is a certification mark licensed by the Cradle to Cradle Products Innovation Institute.
 6 As per IEC 61215-2016 tested and certified.



Made in Philippines (Cells)
 Assembled in Mexico (Module)
 Specifications included in this datasheet are subject to change without notice.
 ©2022 Maxeon Solar Technologies. All Rights Reserved.
 View warranty, patent and trademark information at maxeon.com/legal.

548517 REV A / LTR_US
 Publication Date: December 2022